

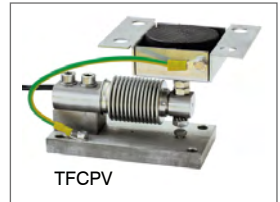


Capacity from 20 kg to 500 kg

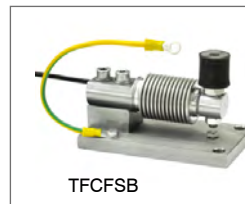


- 17-4 PH STAINLESS STEEL
- COMBINED ERROR  $\leq \pm 0.02\%$  (0.017% C4)
- PROTECTION CLASS IP68

### MOUNTING KITS



TFCPV



TFCFSB



TFCGP

CAPACITY	kg	ACCURACY CLASS C3	C4			NET WEIGHT (kg)	CODE
20		•	•	–	•	0.4	FCOL20
50		•	•	•	•	0.4	FCOL50
100		•	•	•	•	0.4	FCOL100
200		•	•	•	•	0.4	FCOL200
350		•	•	•	•	0.4	FCOL350
500		•	•	•	•	0.4	FCOL500

ON REQUEST

### CERTIFICATIONS



OIML R60 C3



Complies with the Eurasian Customs Union standards



Equivalent of the CE marking for the United Kingdom



Complies with United Kingdom regulations for legal for trade use

#### CERTIFICATIONS ON REQUEST



ATEX II 1GD (zone 0-1-2-20-21-22) (CE - UK CA)



IECEx (zone 0-1-2-20-21-22)



OIML R60 C4



Complies with the Eurasian Customs Union standards for use in potentially explosive atmospheres

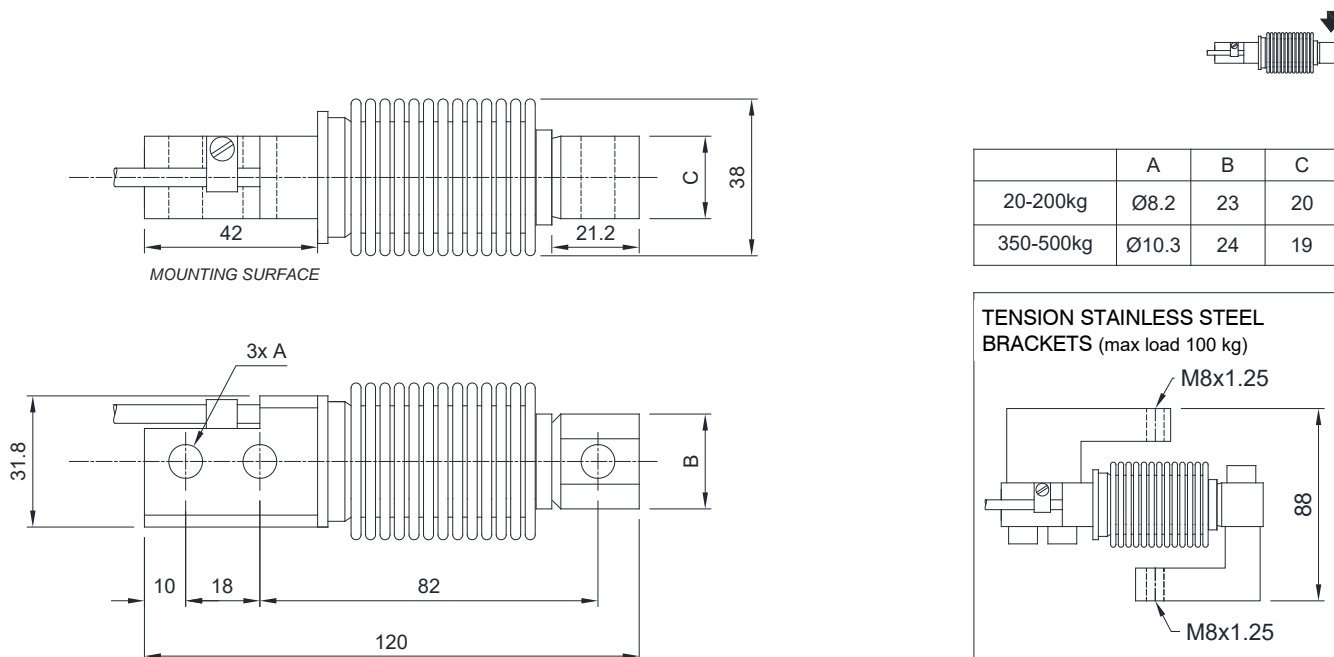


NTEP - Complies with United States regulations for legal for trade use

### COMPLEMENTARY ACCESSORIES

	DESCRIPTION	CODE
	Pair of tension stainless steel brackets. Maximum static load: 100 kg	STAFFEFCMONT

### DIMENSIONS (mm)



For the load cell fixing screws, provide the tightening torque indicated in the table

Screw	M8		M10	
	6.8	8.8	6.8	8.8
Tightening torque	19 Nm	25 Nm	37 Nm	50 Nm

### TECHNICAL FEATURES

Material	17-4 PH stainless steel		
OIML R60 Accuracy class • Verification intervals	C3 • 3000		C4 • 4000
Nominal load (E max)	20 - 50 - 100 - 200 - 350 - 500 kg		
Minimum verification interval (V min)	E max / 10000		E max / 15000
Combined error	≤ ±0.02%		≤ ±0.017%
Protection class	IP68		
Rated output	2 mV/V ± 1% *	Input resistance	460 Ω ± 50
Temperature effect on zero	0.002% °C	Output resistance	350 Ω ± 3.5
Temperature effect on span	0.0014% °C	Zero balance	≤ ±1%
Compensated temperature range	-10 °C / +40 °C	Insulation resistance	≥ 5000 MΩ
Operating temperature range	-35 °C / +65 °C	Safe overload (% of full scale)	150%
Creep at nominal load in 30 minutes	0.02%	Ultimate overload (% of full scale)	300%
Max supply voltage without damage	18 V	Deflection at nominal load	0.4 mm

\* Calibrated current output

### ELECTRICAL CONNECTIONS

Cable length	3 m
Cable diameter	5 mm
Cores	4 x 0.22 mm <sup>2</sup>



The Company reserves the right to make changes to the technical data, drawings and images without notice.