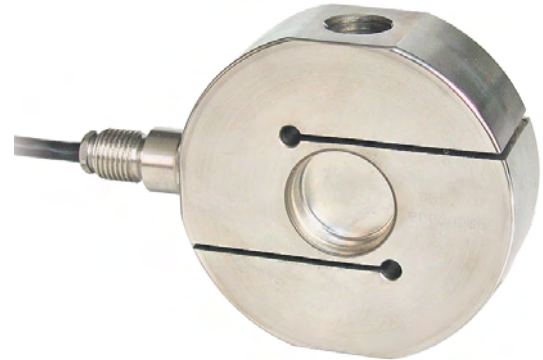




Capacity from 100 kg to 12500 kg



- 17-4 PH STAINLESS STEEL
- COMBINED ERROR $\leq \pm 0.02\%$
- PROTECTION CLASS IP68

CAPACITY	kg	ACCURACY CLASS C3			NET WEIGHT (kg)	CODE
100		–	–	–	0.7	CTL100
200		–	–	–	0.7	CTL200
300		–	–	–	0.7	CTL300
500		•	•	•	1.4	CTL500
1000		•	•	•	1.4	CTL1000
2500		•	•	•	1.4	CTL2500
5000		•	•	•	2.6	CTL5000
7500		•	•	•	2.7	CTLA7500
10000		•	•	•	3.7	CTLA10000
12500		•	•	•	4.8	CTL12500

ON REQUEST

CERTIFICATIONS



OIML R60 C3



Complies with the Eurasian Customs Union standards



Equivalent of the CE marking for the United Kingdom



Complies with United Kingdom regulations for legal for trade use

CERTIFICATIONS ON REQUEST



IP69K

Declaration of conformity + IP69K marking protection rating

Water protection in case of high-pressure or steam jet cleaning (test: pressurized water is sprayed from a distance of max 150 mm)
Water pressure: 100 bar; temperature: 80 °C; test duration: 250 seconds (reference standard: DIN 40050-9)



Linearity test



ATEX II 1GD (zone 0-1-2-20-21-22) (CE - UK CA)



IECEx (zone 0-1-2-20-21-22)



Complies with the Eurasian Customs Union standards for use in potentially explosive atmospheres



Complies with the regulations of the Russian Federation for legal for trade use


OPTIONS ON REQUEST

DESCRIPTION

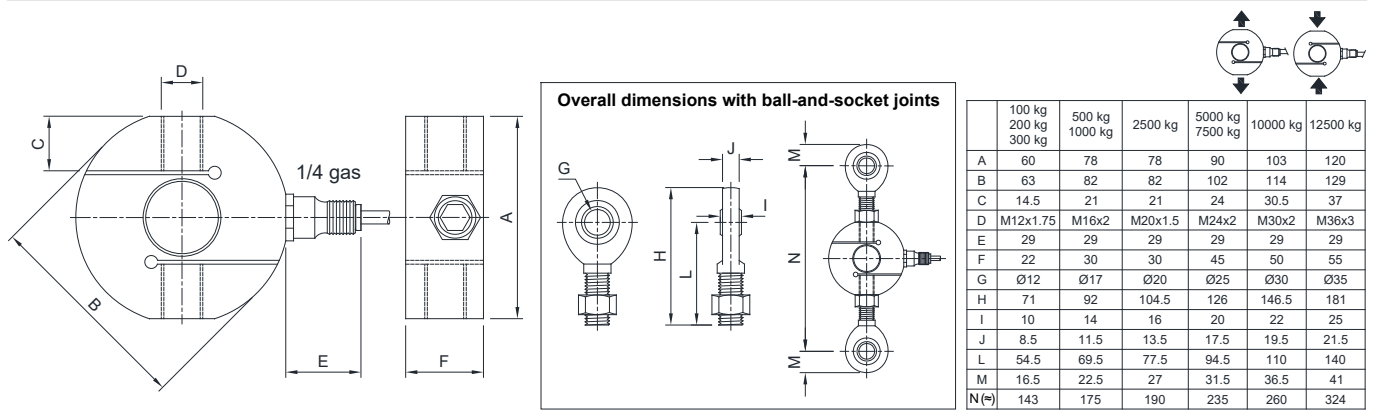


Two redundant strain gauges Wheatstone bridges (350 Ω) with two output cables; for dual safety systems.

COMPLEMENTARY ACCESSORIES

	DESCRIPTION	DIMENSIONS	LOAD CELL CAPACITY	CODE
	Ball-and-socket joint with nut:			
	stainless steel	M12x1.75	100-300 kg	EM12DADOINOX
		M16x2	500-1000 kg	EM16DADOINOX
		M20x1.5	2500 kg	EM20DADOINOX
		M24x2	5000-7500 kg	EM24DADOINOX
	galvanized C45 steel	M12x1.75	100-300 kg	EM12DADO
		M16x2	500-1000 kg	EM16DADO
		M20x1.5	2500 kg	EM20DADO
		M24x2	5000-7500 kg	EM25DADO
		M30x2	10000 kg	EM30DADO
M36x3		12500 kg	EM35DADO	

DIMENSIONS (mm)

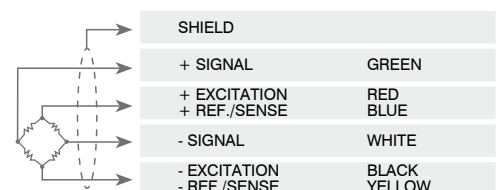


TECHNICAL FEATURES

Material	17-4 PH stainless steel		
OIML R60 Accuracy class • Verification intervals	-		C3 • 3000
Nominal load (E max)	100 - 200 - 300 kg	500 - 1000 - 2500 - 5000 kg 7500 - 10000 - 12500 kg	
Minimum verification interval (V min)	E max / 10000		
Combined error	≤ ±0.02%		
Protection class	IP68		
Rated output	2 mV/V ±0.1%	Input resistance	350 Ω ±5
Temperature effect on zero	0.005% °C	Output resistance	350 Ω ±2
Temperature effect on span	0.003% °C	Zero balance	±1%
Temperature range OIML R60	-10 °C / +40 °C	Insulation resistance	≥5000 MΩ
Compensated temperature range	-20 °C / +70 °C	Safe overload (% of full scale)	150%
Operating temperature range	-30 °C / +90 °C	Ultimate overload (% of full scale)	300%
Creep at nominal load in 30 minutes	0.05%	Deflection at nominal load	0.3 mm
Max supply voltage without damage	15 V		

ELECTRICAL CONNECTIONS

Cable length	10 m
Cable diameter	5 mm
Cores	6 x 0.14 mm ²



The Company reserves the right to make changes to the technical data, drawings and images without notice.