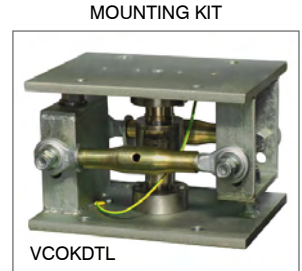




Capacity 30000 kg



- 17-4 PH STAINLESS STEEL
- COMBINED ERROR $\leq \pm 0.017\%$
- PROTECTION CLASS IP68

CAPACITY	kg	ACCURACY CLASS			NET WEIGHT (kg)	CODE
30000		C4			2.4	COL30000
<div style="border: 1px solid black; width: 20px; height: 10px; margin: 0 auto;"></div> ON REQUEST						

CERTIFICATIONS

- OIML R60 C4
- Complies with the Eurasian Customs Union standards
- Equivalent of the CE marking for the United Kingdom
- Complies with United Kingdom regulations for legal for trade use

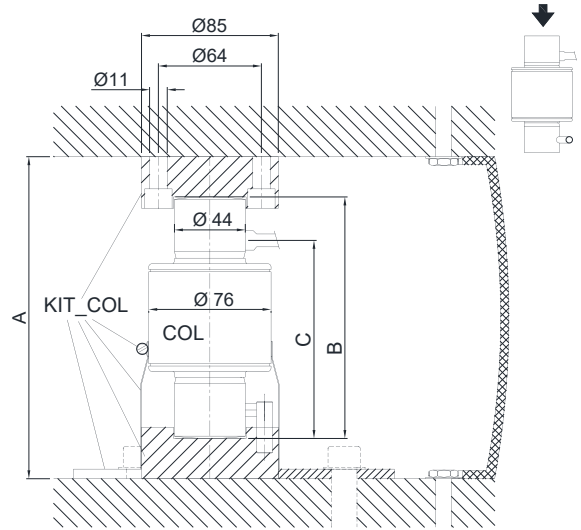
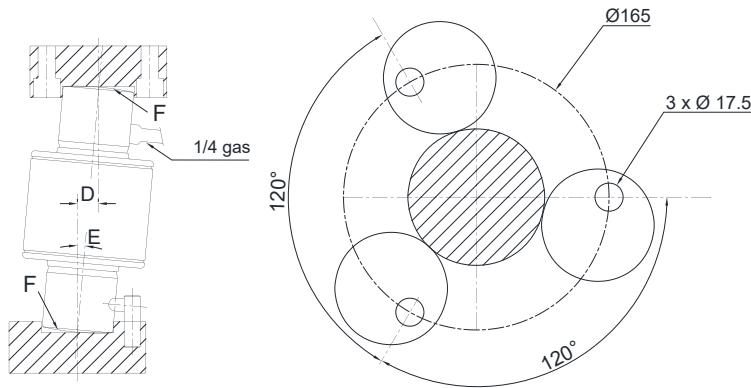
CERTIFICATIONS ON REQUEST

- ATEX II 1GD (zone 0-1-2-20-21-22) (CE - UK CA)
- IECEx (zone 0-1-2-20-21-22)
- Complies with the Eurasian Customs Union standards for use in potentially explosive atmospheres
- Complies with the regulations of the Russian Federation for legal for trade use

COMPLEMENTARY ACCESSORIES

	DESCRIPTION	CODE
	Hardened AISI 420 stainless steel accessory composed by anti-rotation system, protective rubber seal, 2 bases (upper and lower) and 3 self-centering cylindrical plates.	KITCOL

DIMENSIONS (mm)



	A	B	C	D max.	E (max. angle)	F (curvature radius)	weight
COL 30000	200	150	123	13	5°	160°	2.4 kg

KIT_COL weight = 3 kg

TECHNICAL FEATURES

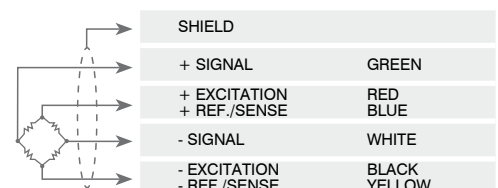
Material	17-4 PH stainless steel		
OIML R60 Accuracy class • Verification intervals	C4 • 4000		
Nominal load (E max)	30000 kg		
Minimum verification interval (V min)	E max / 10000		
Combined error	≤ ±0.017%		
Protection class	IP68		

Rated output	2 mV/V ±0.1% *	Input resistance	800 Ω ±30
Temperature effect on zero	0.002% °C	Output resistance	700 Ω ±10
Temperature effect on span	0.0012% °C	Zero balance	±2%
Compensated temperature range	-10 °C / +40 °C	Insulation resistance	≥5000 MΩ
Operating temperature range	-30 °C / +70°C	Safe overload (% of full scale)	120%
Creep at nominal load in 30 minutes	0.016%	Ultimate overload (% of full scale)	200%
Max supply voltage without damage	15 V	Deflection at nominal load	0.6 - 1 mm

* Calibrated current output

ELECTRICAL CONNECTIONS

Cable length	20 m
Cable diameter	6 mm
Cores	6 x 0.22 mm ²



The Company reserves the right to make changes to the technical data, drawings and images without notice.