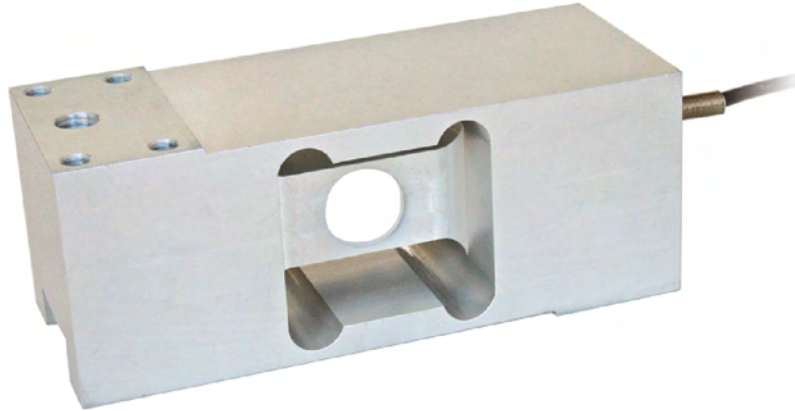




Manufactured according to OIML R60 standards

Capacity from 500 kg to 1000 kg



- ALUMINUM ALLOY
- COMBINED ERROR  $\leq \pm 0.05\%$
- PROTECTION CLASS IP65

CAPACITY	kg	PLATFORM (mm)	NET WEIGHT (kg)	CODE
	500	800 x 800	2.2	AR500
	1000	800 x 800	2.3	AR1000

### CERTIFICATIONS



Complies with the Eurasian Customs Union standards



Equivalent of the CE marking for the United Kingdom

#### CERTIFICATIONS ON REQUEST



ATEX II 1GD (zone 0-1-2-20-21-22) (CE - UK CA)

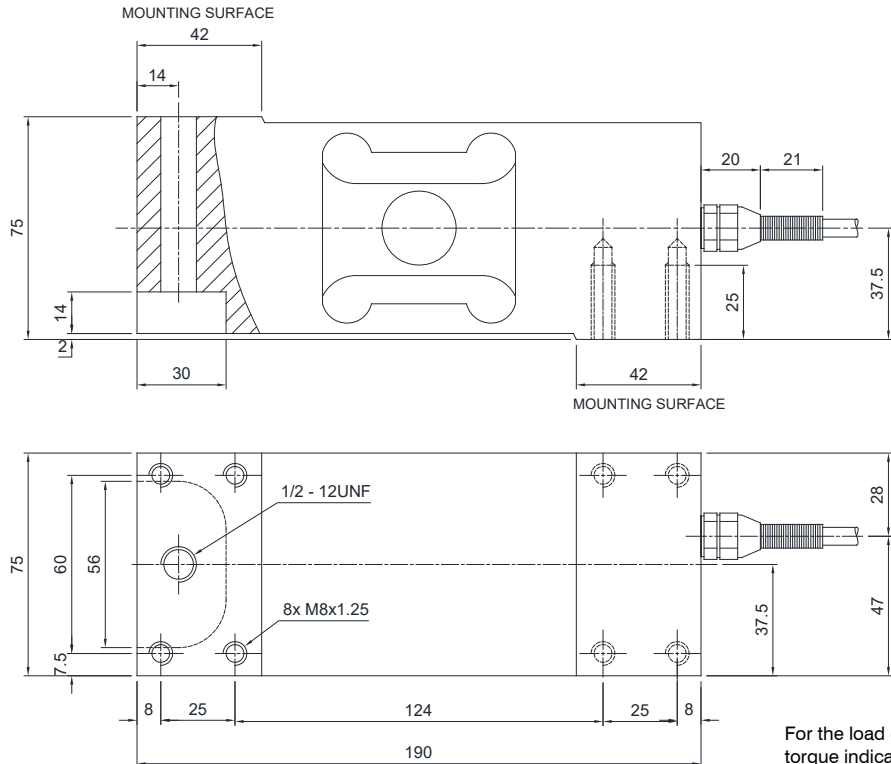


IECEx (zone 0-1-2-20-21-22)



Complies with the Eurasian Customs Union standards for use in potentially explosive atmospheres

### DIMENSIONS (mm)



For the load cell fixing screws, provide the tightening torque indicated in the table

Screw	M8	
	Screw class	6.8
Tightening torque	19 Nm	25 Nm

### TECHNICAL FEATURES

Material	Aluminum alloy		
Nominal load (E max)	500 - 1000 kg		
Combined error	≤ ±0.05%		
Protection class	IP65		
Rated output	2 mV/V ±10%	Input resistance	410 Ω ±10
Temperature effect on zero	0.0025% °C	Output resistance	350 Ω ±3
Temperature effect on span	0.0025% °C	Zero balance	±2%
Compensated temperature range	-10 °C / +40 °C	Insulation resistance	>2000 MΩ
Operating temperature range	-20 °C / +60 °C	Safe overload (% of full scale)	120%
Creep at nominal load in 30 minutes	0.03%	Ultimate overload (% of full scale)	200%
Max supply voltage without damage	15 V	Deflection at nominal load	0.5 mm

### ELECTRICAL CONNECTIONS

Cable length	3 m
Cable diameter	5 mm
Cores	4/6 x 0.20 mm <sup>2</sup>

