



Manufactured according to OIML R60 standards

Capacity from 30000 kg to 250000 kg



- 17-4 PH STAINLESS STEEL
- COMBINED ERROR $\leq \pm 0.1\%$
- PROTECTION CLASS IP68

CAPACITY	kg	Ø INTERNAL	Ø EXTERNAL	NET WEIGHT (kg)	CODE
30000		50 mm	163 mm	-	CA50/30T
50000		50 mm	163 mm	-	CA50/50T
75000		50 mm	163 mm	-	CA50/75T
50000		75 mm	163 mm	-	CA75/50T
75000		75 mm	163 mm	-	CA75/75T
75000		120 mm	229 mm	-	CA120/75T
100000		120 mm	229 mm	-	CA120/100T
125000		120 mm	229 mm	-	CA120/125T
125000		165 mm	275 mm	-	CA165/125T
150000		165 mm	275 mm	-	CA165/150T
180000		165 mm	275 mm	-	CA165/180T
180000		225 mm	320 mm	-	CA225/180T
250000		225 mm	320 mm	-	CA225/250T

CERTIFICATIONS

EAC Complies with the Eurasian Customs Union standards

UK CA Equivalent of the CE marking for the United Kingdom

CERTIFICATIONS ON REQUEST

✓ Linearity test

Ex ATEX II 1GD (zone 0-1-2-20-21-22) (**CE** - **UK CA**)

IECEx (zone 0-1-2-20-21-22)

EAC Ex Complies with the Eurasian Customs Union standards for use in potentially explosive atmospheres

OPTIONS ON REQUEST

DESCRIPTION



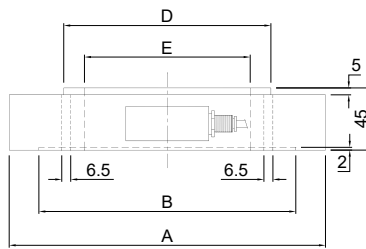
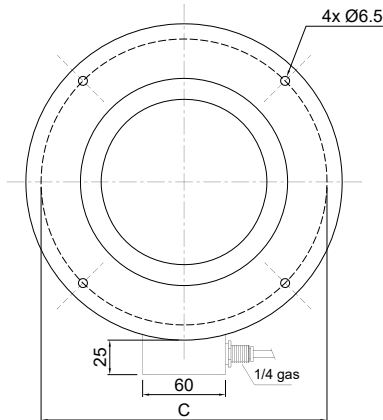
Two redundant strain gauges Wheatstone bridges (350 Ω) with two output cables; for dual safety systems.

COMPLEMENTARY ACCESSORIES



DESCRIPTION			CODE
Galvanized steel plates for load distribution.			
	Dimensions:	for load cell:	
Upper plate	Ø98x25 mm	CA50/ ...	PIAS50CASUP
Lower plate	Ø170x25 mm		PIAS50CAINF
Upper plate	Ø98x27.5 mm	CA75/ ...	PIAS75CASUP
Lower plate	Ø170x25 mm		PIAS75CAINF
Upper plate	Ø150x27.5 mm	CA120/ ...	PIAS120CASUP
Lower plate	Ø240x30 mm		PIAS120CAINF
Upper plate	Ø199x30 mm	CA165/ ...	PIAS165CASUP
Lower plate	Ø290x30 mm		PIAS165CAINF
Upper plate	Ø250x30 mm	CA225/ ...	PIAS225CASUP
Lower plate	Ø330x35 mm		PIAS225CAINF

TECHNICAL FEATURES - DIMENSIONS



	CA50	CA75	CA120	CA165	CA225
A	163	163	229	275	320
B	131.5	131.5	186.5	231	285
C	145	145	207	252	302
D	95	95	150	195	250
E	50	75	120	165	225
kg	5	5	9	14	20

Material	17-4 PH stainless steel		
Nominal load (E max)	30000 - 50000 - 75000 - 100000 - 125000 - 150000 - 180000 - 250000 kg		
Combined error	≤ ±0.1%		
Protection class	IP68		
Rated output	2 mV/V ±0.1%	Input resistance	700 Ω ±20
Temperature effect on zero	0.005% °C	Output resistance	700 Ω ±5
Temperature effect on span	0.005% °C	Zero balance	±1%
Compensated temperature range	-20 °C / +70 °C	Insulation resistance	>5000 MΩ
Operating temperature range	-30 °C / +90 °C	Safe overload (% of full scale)	150%
Creep at nominal load in 30 minutes	0.03%	Ultimate overload (% of full scale)	300%
Max supply voltage without damage	15 V	Deflection at nominal load	0.4 mm

ELECTRICAL CONNECTIONS

Cable length	5 m
Cable diameter	5 mm
Cores	6 x 0.14 mm ²

