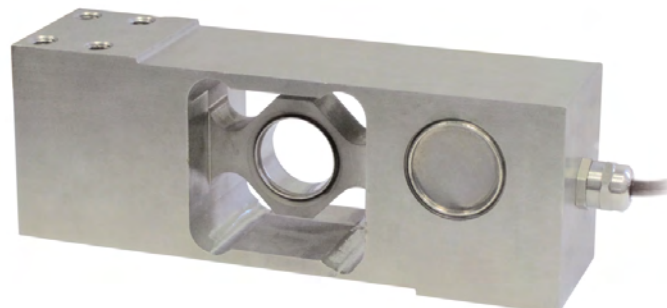
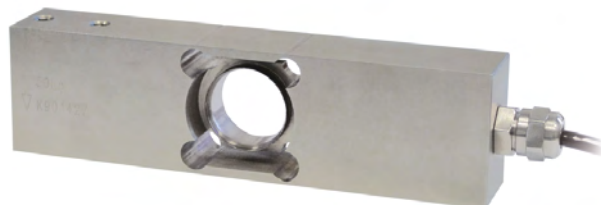




Capacity from 10 kg to 50 kg

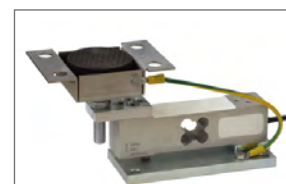


Capacity from 100 kg to 500 kg



- 17-4 PH STAINLESS STEEL
- COMBINED ERROR $\leq \pm 0.02\%$ (0.017% C4)
- PROTECTION CLASS IP68

MOUNTING KIT



T8AZL capacity 50 kg

It can be used for systems with at least 3 load cells connected in parallel

CAPACITY	kg	ACCURACY CLASS				PLATFORM (mm)	NET WEIGHT (kg)	CODE
		C3	C4					
10		•	•	–	•	400 x 400	0.9	AZLI10
20		•	•	•	•	400 x 400	0.9	AZLI20
50		•	•	•	•	400 x 400	1	AZLI50
100		•	–	•	•	800 x 800	2.7	AZLI100
200		•	–	•	•	800 x 800	2.7	AZLI200
300		•	–	•	•	800 x 800	2.8	AZLI300
500		•	–	•	•	800 x 800	2.8	AZLI500

ON REQUEST

CERTIFICATIONS



OIML R60 C3



Complies with the Eurasian Customs Union standards



Equivalent of the CE marking for the United Kingdom



Complies with United Kingdom regulations for legal for trade use

CERTIFICATIONS ON REQUEST



IP69K

Declaration of conformity + IP69K marking protection rating

Water protection in case of high-pressure or steam jet cleaning (test: pressurized water is sprayed from a distance of max 150 mm)

Water pressure: 100 bar; temperature: 80 °C; test duration: 250 seconds (reference standard: DIN 40050-9)



ATEX II 1GD (zone 0-1-2-20-21-22) (CE - UK)



IECEx (zone 0-1-2-20-21-22)



OIML R60 C4

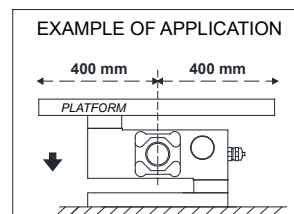
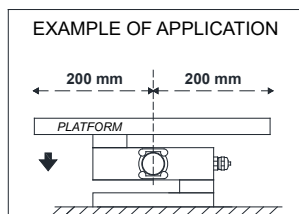
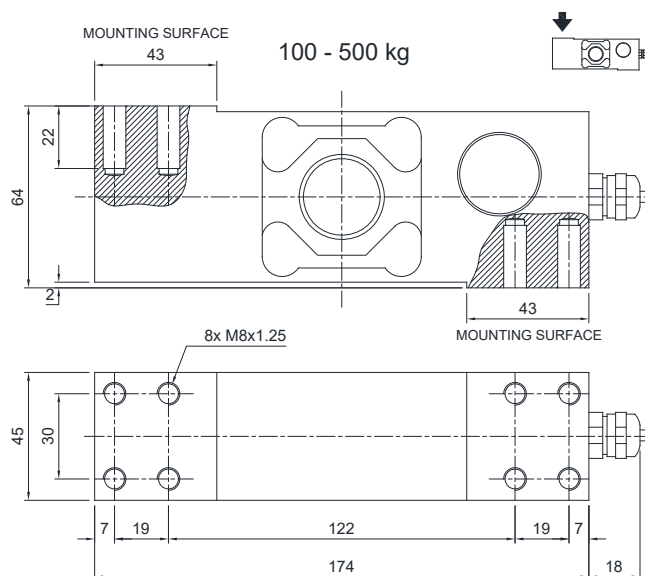
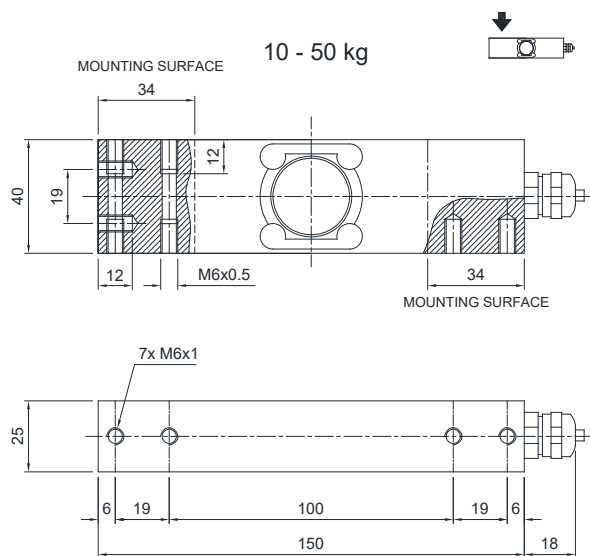


Complies with the Eurasian Customs Union standards for use in potentially explosive atmospheres



NTEP - Complies with United States regulations for legal for trade use

DIMENSIONS (mm)



For the load cell fixing screws, provide the tightening torque indicated in the table

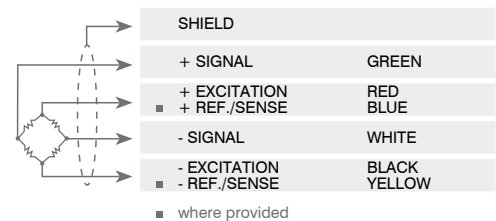
Screw	M6		M8	
	6.8	8.8	6.8	8.8
Tightening torque	7.5 Nm	10 Nm	19 Nm	25 Nm

TECHNICAL FEATURES

Material	17-4 PH Stainless steel	
OIML R60 Accuracy class • Verification intervals	C3 • 3000	C4 • 4000
Nominal load (E max)	10 - 20 - 50 - 100 - 200 - 300 - 500 kg	10 - 20 - 50 kg
Minimum verification interval (V min)	E max / 10000	E max / 40000
Combined error	≤ ±0.02%	≤ ±0.017%
Protection class	IP68	
Rated output	2 mV/V ± 10%	Input resistance 350 Ω ± 3.5
Temperature effect on zero	0.0017% °C	Output resistance 350 Ω ± 3.5
Temperature effect on span	0.0014% °C	Zero balance ± 2%
Compensated temperature range	-10 °C / +40 °C	Insulation resistance ≥ 5000 MΩ
Operating temperature range	-35 °C / +65 °C	Safe overload (% of full scale) 150%
Creep at nominal load in 30 minutes	0.02%	Ultimate overload (% of full scale) 300%
Max supply voltage without damage	18 V	Deflection at nominal load 0.5 mm

ELECTRICAL CONNECTIONS

Cable length	3 m
Cable diameter	5 mm
Cores	4/6 x 0.20 mm ²



COMPLEMENTARY ACCESSORIES

	DESCRIPTION	CODE
	Stainless steel drawn block for capacities up to 50 kg.	BLOCPRC
	Stainless steel drawn block for capacities from 100 to 500 kg.	BLOCAPL