



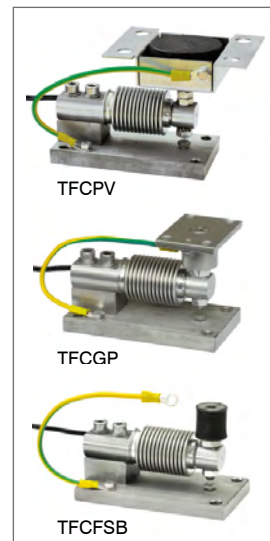
Manufactured according to OIML R60 standards

Capacity from 5 kg to 10 kg



- 17-4 PH STAINLESS STEEL
- COMBINED ERROR $\leq \pm 0.02\%$
- PROTECTION CLASS IP68

MOUNTING KITS



CAPACITY	kg	NET WEIGHT (kg)	CODE
	5	0.4	FCK5
	10	0.4	FCK10

CERTIFICATIONS

EAC Complies with the Eurasian Customs Union standards

UK CA Equivalent of the CE marking for the United Kingdom

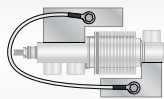
CERTIFICATIONS ON REQUEST

Ex ATEX II 1GD (zone 0-1-2-20-21-22) (CE - UK CA)

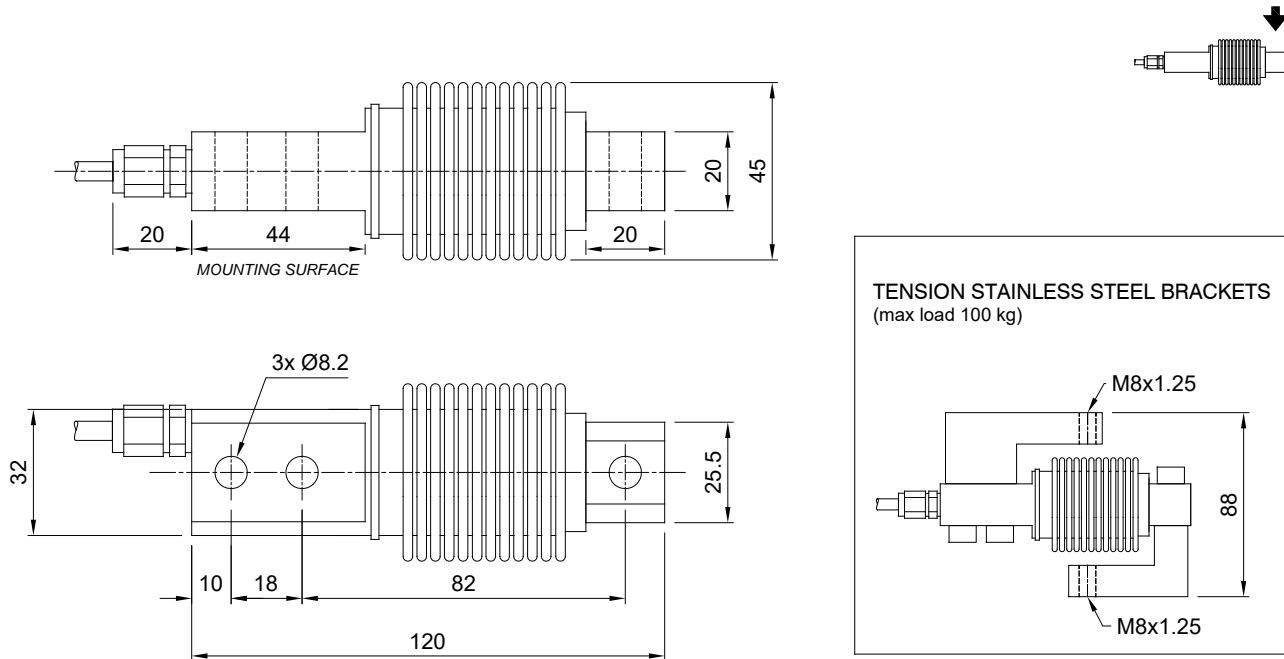
IECEx IECEx (zone 0-1-2-20-21-22)

EAC Ex Complies with the Eurasian Customs Union standards for use in potentially explosive atmospheres

COMPLEMENTARY ACCESSORIES

	DESCRIPTION	CODE
	Pair of tension stainless steel brackets. Maximum static load: 100 kg	STAFFEFMONT

DIMENSIONS (mm)



For the load cell fixing screws, provide the tightening torque indicated in the table

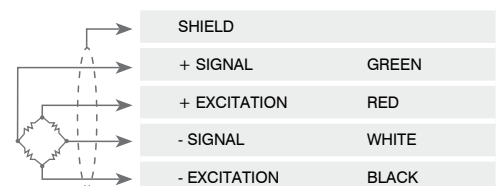
Screw	M8	
	6.8	8.8
Tightening torque	19 Nm	25 Nm

TECHNICAL FEATURES

Material	17-4 PH stainless steel		
Nominal load (E max)	5 - 10 kg		
Combined error	≤ ±0.02%		
Protection class	IP68		
Rated output	2 mV/V ±1%	Input resistance	400 Ω ±20
Temperature effect on zero	0.002% °C	Output resistance	352 Ω ±3
Temperature effect on span	0.002% °C	Zero balance	±2%
Compensated temperature range	-10 °C / +40 °C	Insulation resistance	>5000 MΩ
Operating temperature range	-30 °C / +65 °C	Safe overload (% of full scale)	150%
Creep at nominal load in 30 minutes	0.02%	Ultimate overload (% of full scale)	200%
Max supply voltage without damage	15 V	Deflection at nominal load	0.4 mm

ELECTRICAL CONNECTIONS

Cable length	3 m
Cable diameter	4 mm
Cores	4 x 0.22 mm ²



The Company reserves the right to make changes to the technical data, drawings and images without notice.