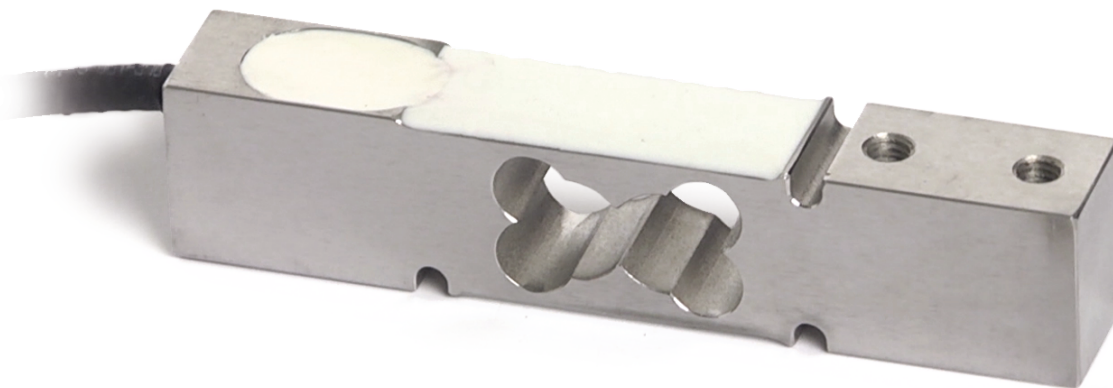




Manufactured according to OIML R60 standards

Capacity from 6 kg to 50 kg



- AISI 420 STAINLESS STEEL
- COMBINED ERROR $\leq \pm 0.02\%$
- PROTECTION CLASS IP67

CAPACITY	kg	PLATFORM (mm)	NET WEIGHT (kg)	CODE
	6	350 x 350	0.4	PRC6
	15	350 x 350	0.4	PRC15
	30	350 x 350	0.4	PRC30
	50	350 x 350	0.4	PRC50

CERTIFICATIONS

EAC Complies with the Eurasian Customs Union standards

UKCA Equivalent of the CE marking for the United Kingdom

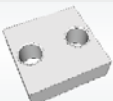
CERTIFICATIONS ON REQUEST

Ex ATEX II 1GD (zone 0-1-2-20-21-22) (**CE - UKCA**)

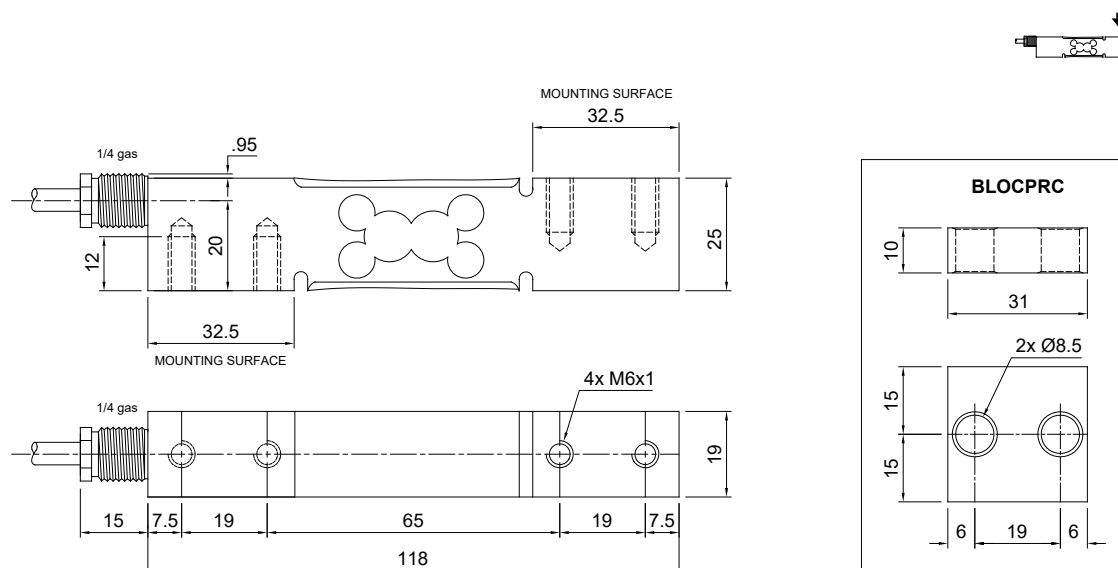
IECEx IECEx (zone 0-1-2-20-21-22)

EAC Ex Complies with the Eurasian Customs Union standards for use in potentially explosive atmospheres

COMPLEMENTARY ACCESSORIES

	DESCRIPTION	CODE
	Stainless steel drawn block.	BLOCPRC

DIMENSIONS (mm)



For the load cell fixing screws, provide the tightening torque indicated in the table

Screw	M6	
Screw class	6.8	8.8
Tightening torque	7.5 Nm	10 Nm

TECHNICAL FEATURES

Material	AISI 420 stainless steel		
Nominal load (E max)	6 - 15 - 30 - 50 kg		
Combined error	≤ ±0.02%		
Protection class	IP67		
Rated output	2 mV/V ±10%	Input resistance	380 Ω ±10
Temperature effect on zero	0.002% °C	Output resistance	350 Ω ±5
Temperature effect on span	0.002% °C	Zero balance	±1%
Compensated temperature range	-10 °C / +40 °C	Insulation resistance	>5000 MΩ
Operating temperature range	-20 °C / +60 °C	Safe overload (% of full scale)	150%
Creep at nominal load in 30 minutes	0.02%	Ultimate overload (% of full scale)	300%
Max supply voltage without damage	15 V	Deflection at nominal load	0.3 mm

ELECTRICAL CONNECTIONS

Cable length	3 m
Cable diameter	5 mm
Cores	6 x 0.20 mm ²

