



Manufactured according to OIML R60 standards

Capacity 100 kg



- ALUMINUM
- COMBINED ERROR $\leq \pm 0.08\%$
- PROTECTION CLASS IP65
- FLEXIBLE CABLE

CAPACITY	kg	NET WEIGHT (kg)	CODE
	100	0.4	LPED100

CERTIFICATIONS

EAC Complies with the Eurasian Customs Union standards

UK CA Equivalent of the CE marking for the United Kingdom

CERTIFICATIONS ON REQUEST

✓ Linearity test

Ex ATEX II 1GD (zone 0-1-2-20-21-22) (CE - UK CA)

IECEx IECEx (zone 0-1-2-20-21-22)

EAC Ex Complies with the Eurasian Customs Union standards for use in potentially explosive atmospheres

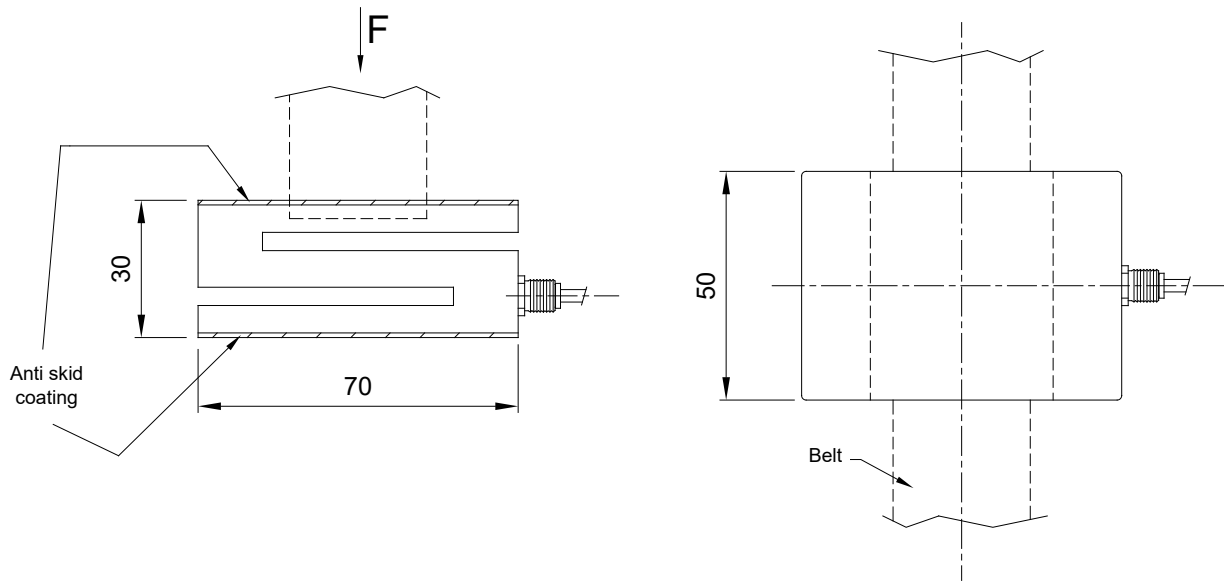
OPTIONS ON REQUEST

DESCRIPTION



Two redundant strain gauges Wheatstone bridges (350 Ω) with two output cables; for dual safety systems

DIMENSIONS (mm)

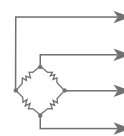


TECHNICAL FEATURES

Material	Aluminum		
Nominal load (E max)	100 kg		
Combined error	$\leq \pm 0.08\%$		
Protection class	IP65		
Rated output	1 mV/V $\pm 0.2\%$	Input resistance	350 $\Omega \pm 50$
Temperature effect on zero	0.005% $^{\circ}\text{C}$	Output resistance	350 $\Omega \pm 5$
Temperature effect on span	0.003% $^{\circ}\text{C}$	Zero balance	$\pm 1\%$
Compensated temperature range	-20 $^{\circ}\text{C}$ / +70 $^{\circ}\text{C}$	Insulation resistance	>5000 M Ω
Operating temperature range	-30 $^{\circ}\text{C}$ / +90 $^{\circ}\text{C}$	Safe overload (% of full scale)	150%
Creep at nominal load in 30 minutes	0.03%	Ultimate overload (% of full scale)	300%
Max supply voltage without damage	15 V	Deflection at nominal load	0.25 mm

ELECTRICAL CONNECTIONS

Cable length	2 m
Cable diameter	5 mm
Cores	4 x 0.25 mm ²



+ SIGNAL	BROWN
+ EXCITATION	BLUE
- SIGNAL	WHITE
- EXCITATION	BLACK