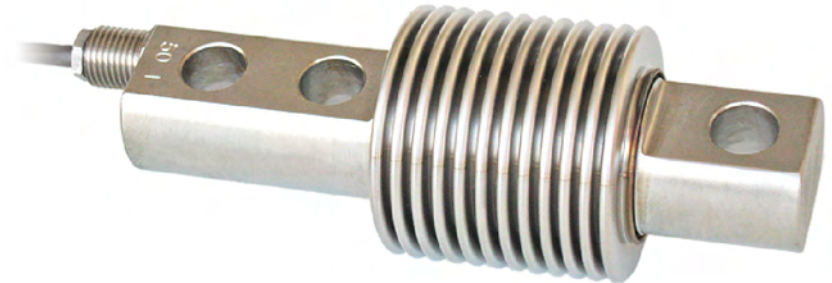


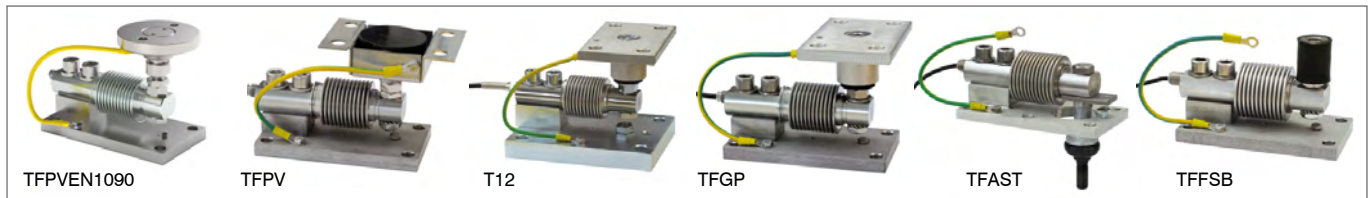


Capacity from 50 kg to 300 kg



- AISI 420 STAINLESS STEEL
- COMBINED ERROR $\leq \pm 0.017\%$
- PROTECTION CLASS IP68

MOUNTING KITS



CAPACITY	kg	ACCURACY CLASS C3		NET WEIGHT (kg)	CODE
50		•	•	0.5	FCAL50
75		•	•	0.5	FCAL75
150		•	•	0.5	FCAL150
300		•	•	0.5	FCAL300

CERTIFICATIONS

- OIML R60 C3
- Complies with the Eurasian Customs Union standards
- Equivalent of the CE marking for the United Kingdom
- Complies with United Kingdom regulations for legal for trade use

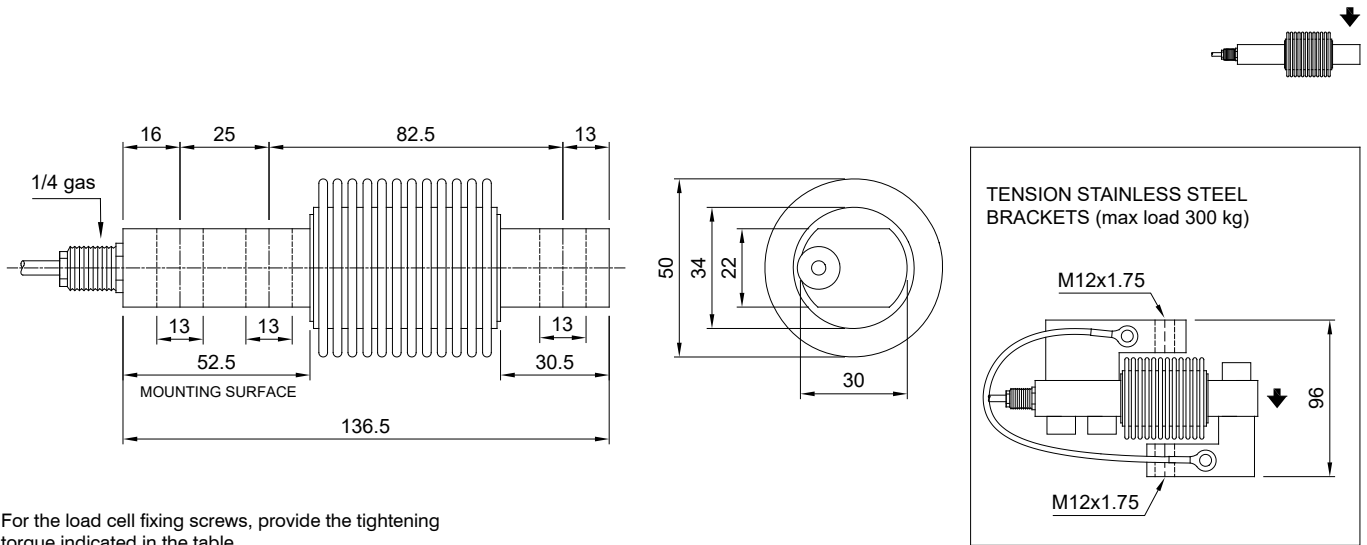
CERTIFICATIONS ON REQUEST

- ATEX II 1GD (zone 0-1-2-20-21-22) (-)
- IECEx (zone 0-1-2-20-21-22)
- Complies with the Eurasian Customs Union standards for use in potentially explosive atmospheres

COMPLEMENTARY ACCESSORIES

DESCRIPTION	CODE
<p>Pair of tension stainless steel brackets. Maximum static load: 300 kg</p>	STAFFEFCAMONT

DIMENSIONS (mm)



For the load cell fixing screws, provide the tightening torque indicated in the table

Screw	M12	
Screw class	6.8	8.8
Tightening torque	50 Nm	79 Nm

TECHNICAL FEATURES

Material	AISI 420 stainless steel		
OIML R60 Accuracy class • Verification intervals	C3 • 3000		
Nominal load (E max)	50 - 75 - 150 - 300 kg		
Minimum verification interval (V min)	E max / 10000		
Combined error	≤ ±0.017%		
Protection class	IP68		
Rated output	2.0 mV/V ±0.1%	Input resistance	400 Ω ±20
Temperature effect on zero	0.002% °C	Output resistance	350 Ω ±3
Temperature effect on span	0.0012% °C	Zero balance	±2%
Compensated temperature range	-10 °C / +40 °C	Insulation resistance	>5000 MΩ
Operating temperature range	-20 °C / +50 °C	Safe overload (% of full scale)	150%
Creep at nominal load in 30 minutes	0.016%	Ultimate overload (% of full scale)	200%
Max supply voltage without damage	15 V	Deflection at nominal load	0.4 mm

ELECTRICAL CONNECTIONS

Cable length	3 m
Cable diameter	4 mm
Cores	4 x 0.22 mm ²

