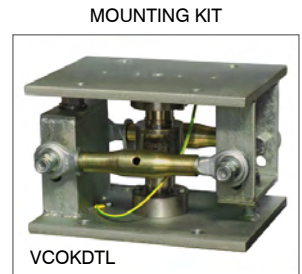




Capacity from 15000 kg to 50000 kg



- AISI 4340 NICKEL PLATED STEEL
- COMBINED ERROR $\leq \pm 0.02\%$
- PROTECTION CLASS IP68

CAPACITY	kg	ACCURACY CLASS C3			NET WEIGHT (kg)	CODE
15000		•	•	•	3.3	COK15000
25000		•	•	•	3.5	COK25000
50000		•	•	•	3.7	COK50000
25000	Anti-rat Cable	•	•	•	4	COK25000AR

ON REQUEST

CERTIFICATIONS

- OIML R60 C3
- Complies with the Eurasian Customs Union standards
- Equivalent of the CE marking for the United Kingdom
- Complies with United Kingdom regulations for legal for trade use

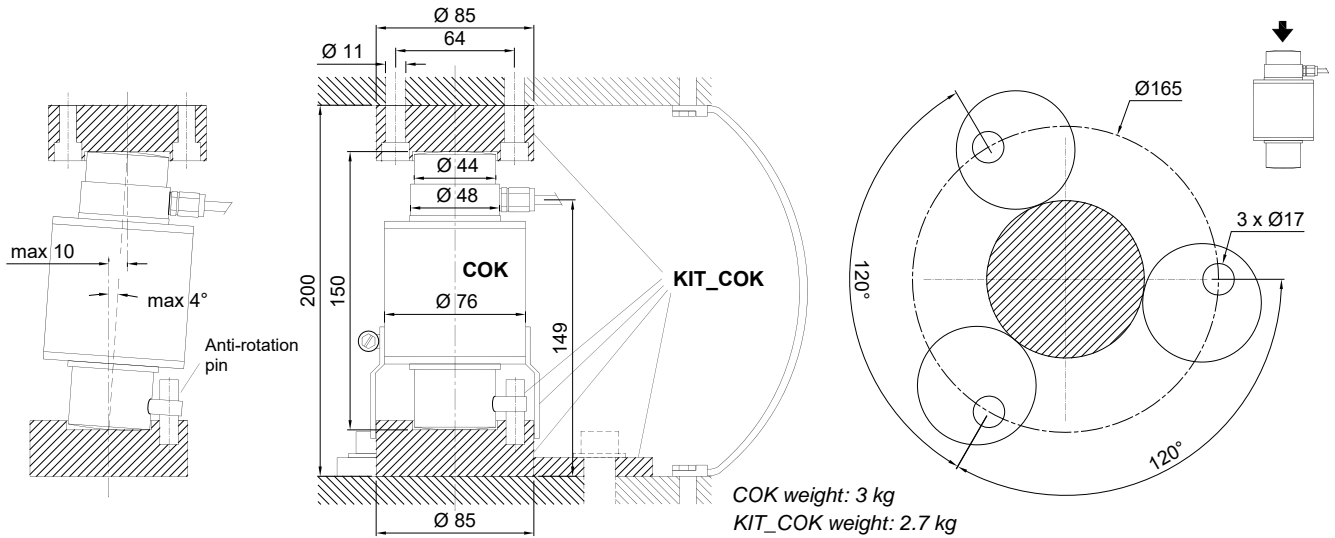
CERTIFICATIONS ON REQUEST

- ATEX II 1GD (zone 0-1-2-20-21-22) (CE - UK CA)
- IECEx (zone 0-1-2-20-21-22)
- Complies with the Eurasian Customs Union standards for use in potentially explosive atmospheres
- Complies with the regulations of the Russian Federation for legal for trade use

COMPLEMENTARY ACCESSORIES

	DESCRIPTION	CODE
	AISI 5140 nickel plated steel accessory composed by anti-rotation system, protective rubber seal, 2 bases (upper and lower) and 3 self-centering cylindrical plates.	KITCOK

DIMENSIONS (mm)

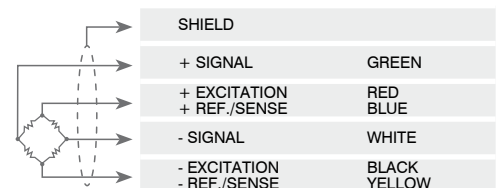


TECHNICAL FEATURES

Material	AISI 4340 nickel plated steel		
OIML R60 Accuracy class • Verification intervals	C3 • 3000		
Nominal load (E max)	15000 - 25000 - 50000 kg		
Minimum verification interval (V min)	E max / 10000		
Combined error	≤ ±0.02%		
Protection class	IP68		
Rated output	2 mV/V ±0.1%	Input resistance	780 Ω ±20
Temperature effect on zero	0.002% °C	Output resistance	700 Ω ±10
Temperature effect on span	0.002% °C	Zero balance	±1%
Compensated temperature range	-10 °C / +40 °C	Insulation resistance	≥5000 MΩ
Operating temperature range	-30 °C / +70 °C	Safe overload (% of full scale)	150%
Creep at nominal load in 30 minutes	0.02%	Ultimate overload (% of full scale)	250%
Max supply voltage without damage	15 V	Deflection at nominal load	0.6 - 1 mm

ELECTRICAL CONNECTIONS

Cable length	20 m
Cable diameter	6 mm
Cores	6 x 0.22 mm ²



The Company reserves the right to make changes to the technical data, drawings and images without notice.